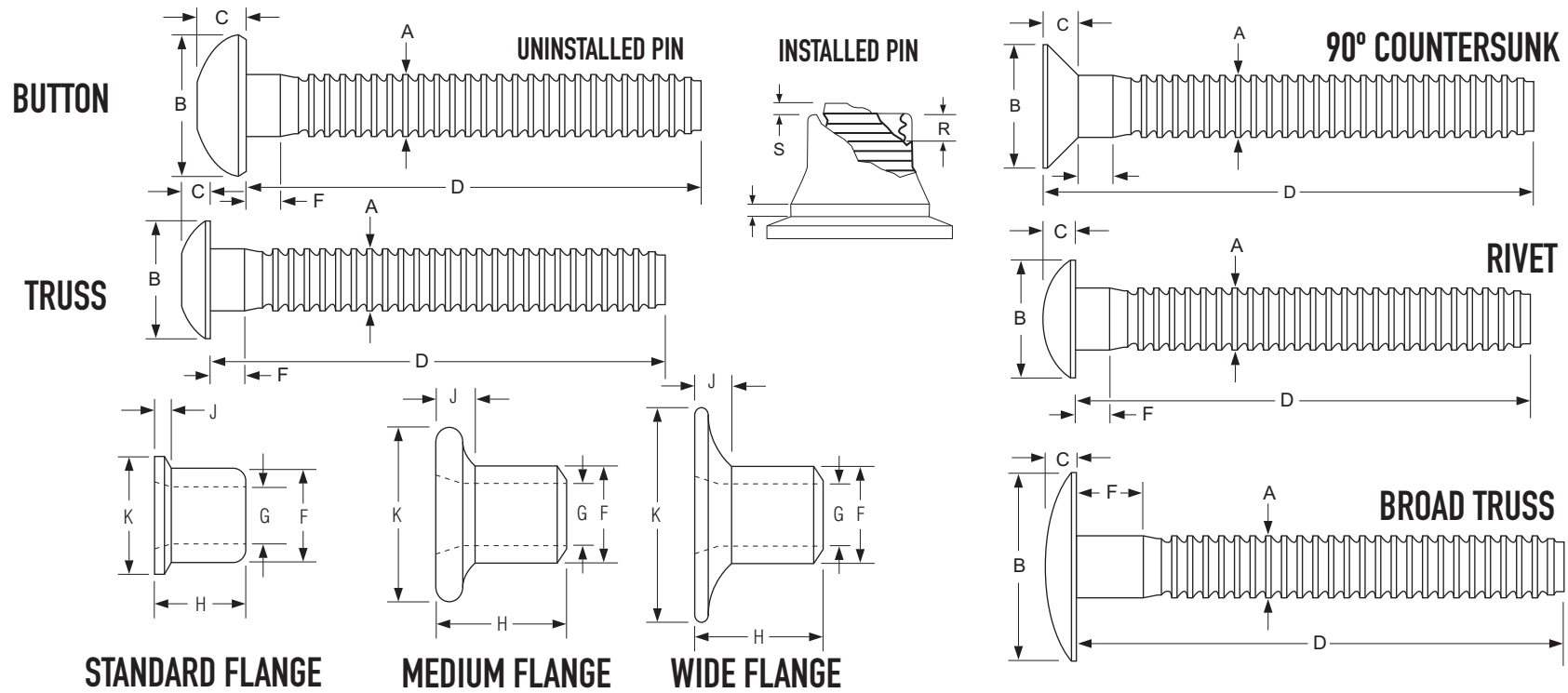


MAGNA-GRIP



HUCK® INTERACTIVE CD ROM : DIMENSIONS

MAGNA-GRIP

| Family | Headstyle | Material | Diameter | Grip | Part Number | Nom Dia mm | Min Hole Size mm | Max Hole Size mm | Max B mm | Max C mm | Max D mm | Nominal F mm | All Collars Min Grip mm | All Collars Max Grip mm |
|--------|-----------|----------|----------|------|--------------|---------------|------------------------|------------------------|----------------|----------------|----------------|--------------------|-------------------------------|-------------------------------|
| MGP | B | R | 6 | 10 | MGPB-R6-10 | 4.8 | 5.0 | 5.2 | 10.0 | 3.2 | 46.3 | 2.2 | 1.6 | 15.9 |
| MGP | B | R | 6 | 20 | MGPB-R6-20 | 4.8 | 5.0 | 5.2 | 10.0 | 3.2 | 51.9 | 7.9 | 7.9 | 31.8 |
| MGP | B | R | 8 | 10 | MGPB-R8-10 | 6.4 | 6.6 | 6.7 | 13.2 | 3.9 | 50.8 | 3.2 | 1.6 | 15.9 |
| MGP | B | R | 8 | 20 | MGPB-R8-20 | 6.4 | 6.6 | 6.7 | 13.2 | 3.9 | 65.9 | 7.9 | 7.9 | 31.8 |
| MGP | B | R | 10 | 12 | MGPB-R10-12 | 7.9 | 8.2 | 8.3 | 16.5 | 5.1 | 60.3 | 6.4 | 3.2 | 19.1 |
| MGP | B | R | 10 | 22 | MGPB-R10-22 | 7.9 | 8.2 | 8.3 | 16.5 | 5.1 | 73.0 | 14.0 | 15.9 | 34.9 |
| MGP | B | R | 12 | 14 | MGPB-R12-14 | 9.5 | 9.8 | 9.9 | 19.8 | 6.3 | 74.6 | 4.8 | 3.2 | 22.2 |
| MGP | B | R | 12 | 26 | MGPB-R12-26 | 9.5 | 9.8 | 9.9 | 19.8 | 6.3 | 89.8 | 20.6 | 20.6 | 41.3 |
| MGP | B | E | 6 | 10 | MGPB-E6-10 | 4.8 | 5.0 | 5.2 | 10.0 | 3.2 | 46.3 | 2.2 | 1.6 | 15.9 |
| MGP | B | E | 6 | 20 | MGPB-E6-20 | 4.8 | 5.0 | 5.2 | 10.0 | 3.2 | 51.9 | 7.9 | 7.9 | 31.8 |
| MGP | B | E | 8 | 10 | MGPB-E8-10 | 6.4 | 6.6 | 6.7 | 13.2 | 3.9 | 50.8 | 3.2 | 1.6 | 15.9 |
| MGP | B | E | 8 | 20 | MGPB-E8-20 | 6.4 | 6.6 | 6.7 | 13.2 | 3.9 | 65.9 | 7.9 | 7.9 | 31.8 |
| MGP | B | E | 10 | 12 | MGPB-E10-12 | 7.9 | 8.2 | 8.3 | 16.5 | 5.1 | 60.3 | 6.4 | 3.2 | 19.1 |
| MGP | B | E | 10 | 22 | MGPB-E10-22 | 7.9 | 8.2 | 8.3 | 16.5 | 5.1 | 73.0 | 14.0 | 15.9 | 34.9 |
| MGP | B | E | 12 | 14 | MGPB-E12-14 | 9.5 | 9.8 | 9.9 | 19.8 | 6.3 | 74.6 | 4.8 | 3.2 | 22.2 |
| MGP | B | E | 12 | 26 | MGPB-E12-26 | 9.5 | 9.8 | 9.9 | 19.8 | 6.3 | 89.8 | 20.6 | 20.6 | 41.3 |
| MGP | T | R | 8 | 10 | MGPT-R8-10 | 6.4 | 6.6 | 6.7 | 15.1 | 3.0 | 50.8 | 3.2 | 1.6 | 15.9 |
| MGP | T | R | 8 | 20 | MGPT-R8-20 | 6.4 | 6.6 | 6.7 | 15.1 | 3.0 | 65.9 | 7.9 | 7.9 | 31.8 |
| MGP | T | R | 10 | 12 | MGPT-R10-12 | 7.9 | 8.2 | 8.3 | 20.4 | 3.6 | 60.3 | 6.4 | 3.2 | 19.1 |
| MGP | T | R | 10 | 22 | MGPT-R10-22 | 7.9 | 8.2 | 8.3 | 20.4 | 3.6 | 73.0 | 14.0 | 15.9 | 34.9 |
| MGP | T | R | 12 | 14 | MGPT-R12-14 | 9.5 | 9.8 | 9.9 | 23.6 | 4.3 | 74.6 | 4.8 | 3.2 | 22.2 |
| MGP | T | R | 12 | 26 | MGPT-R12-26 | 9.5 | 9.8 | 9.9 | 23.6 | 4.3 | 89.8 | 20.6 | 20.6 | 41.3 |
| MGP | T | E | 8 | 10 | MGPT-E8-10 | 6.4 | 6.6 | 6.7 | 15.1 | 3.0 | 50.8 | 3.2 | 1.6 | 15.9 |
| MGP | T | E | 8 | 20 | MGPT-E8-20 | 6.4 | 6.6 | 6.7 | 15.1 | 3.0 | 65.9 | 7.9 | 7.9 | 31.8 |
| MGP | T | E | 10 | 12 | MGPT-E10-12 | 7.9 | 8.2 | 8.3 | 20.4 | 3.6 | 60.3 | 6.4 | 3.2 | 19.1 |
| MGP | T | E | 10 | 22 | MGPT-E10-22 | 7.9 | 8.2 | 8.3 | 20.4 | 3.6 | 73.0 | 14.0 | 15.9 | 34.9 |
| MGP | T | E | 12 | 14 | MGPT-E12-14 | 9.5 | 9.8 | 9.9 | 23.6 | 4.3 | 74.6 | 4.8 | 3.2 | 22.2 |
| MGP | T | E | 12 | 26 | MGPT-E12-26 | 9.5 | 9.8 | 9.9 | 23.6 | 4.3 | 89.8 | 20.6 | 20.6 | 41.3 |
| MGP | 30 | R | 8 | 10 | MGP30-R8-10 | 6.4 | 6.6 | 6.7 | 24.9 | 4.1 | 50.8 | 3.2 | 1.6 | 15.9 |
| MGP | 30 | R | 8 | 24 | MGP30-R8-24 | 6.4 | 6.6 | 6.7 | 24.9 | 4.1 | 72.3 | 14.3 | 15.9 | 38.1 |
| MGP | 30 | R | 12 | 24 | MGP30-R12-24 | 9.5 | 9.8 | 9.9 | 31.9 | 5.4 | 87.1 | 17.3 | 15.9 | 38.1 |
| MGP | 30 | R | 12 | 32 | MGP30-R12-32 | 9.5 | 9.8 | 9.9 | 32.0 | 5.4 | 99.8 | 30.0 | 28.6 | 50.8 |
| MGP | 30 | E | 8 | 10 | MGP30-E8-10 | 6.4 | 6.6 | 6.7 | 27.1 | 4.6 | 50.8 | 3.2 | 1.6 | 15.9 |
| MGP | 30 | E | 8 | 24 | MGP30-E8-24 | 6.4 | 6.6 | 6.7 | 27.1 | 4.6 | 72.3 | 14.3 | 15.9 | 38.1 |
| MGP | 30 | E | 12 | 24 | MGP30-E12-24 | 9.5 | 9.8 | 9.9 | 31.9 | 5.4 | 87.1 | 17.3 | 15.9 | 38.1 |
| MGP | 30 | E | 12 | 32 | MGP30-E12-32 | 9.5 | 9.8 | 9.9 | 32.0 | 5.4 | 99.8 | 30.0 | 28.6 | 50.8 |
| MGP | 90 | R | 6 | 10 | MGP90-R6-10 | 4.8 | 5.0 | 5.2 | 9.1 | 2.6 | 46.3 | 8.8 | 1.6 | 15.9 |
| MGP | 90 | R | 6 | 20 | MGP90-R6-20 | 4.8 | 5.0 | 5.2 | 9.1 | 2.2 | 65.9 | 7.9 | 7.9 | 31.8 |
| MGP | 90 | R | 8 | 10 | MGP90-R8-10 | 6.4 | 6.6 | 6.7 | 12.1 | 3.3 | 50.8 | 9.5 | 1.6 | 15.9 |
| MGP | 90 | R | 8 | 20 | MGP90-R8-20 | 6.4 | 6.6 | 6.7 | 12.1 | 2.9 | 65.9 | 7.9 | 7.9 | 31.8 |
| MGP | 90 | R | 10 | 12 | MGP90-R10-12 | 7.9 | 8.2 | 8.3 | 15.1 | 4.1 | 59.2 | 0.0 | 3.2 | 19.1 |
| MGP | 90 | R | 10 | 22 | MGP90-R10-22 | 7.9 | 8.2 | 8.3 | 15.1 | 3.6 | 71.9 | 0.0 | 15.9 | 34.9 |
| MGP | 90 | R | 12 | 14 | MGP90-R12-14 | 9.5 | 9.8 | 9.9 | 18.1 | 5.0 | 73.9 | 11.1 | 6.4 | 22.2 |
| MGP | 90 | R | 12 | 26 | MGP90-R12-26 | 9.5 | 9.8 | 9.9 | 18.1 | 4.3 | 89.8 | 20.6 | 20.6 | 41.3 |
| MGP | 90 | E | 6 | 10 | MGP90-E6-10 | 4.8 | 5.0 | 5.2 | 9.1 | 2.6 | 46.3 | 8.8 | 1.6 | 15.9 |
| MGP | 90 | E | 6 | 20 | MGP90-E6-20 | 4.8 | 5.0 | 5.2 | 9.1 | 2.2 | 65.9 | 7.9 | 7.9 | 31.8 |
| MGP | 90 | E | 8 | 10 | MGP90-E8-10 | 6.4 | 6.6 | 6.7 | 12.1 | 3.3 | 50.8 | 9.5 | 1.6 | 15.9 |
| MGP | 90 | E | 8 | 20 | MGP90-E8-20 | 6.4 | 6.6 | 6.7 | 12.1 | 2.9 | 65.9 | 7.9 | 7.9 | 31.8 |
| MGP | 90 | E | 10 | 12 | MGP90-E10-12 | 7.9 | 8.2 | 8.3 | 15.1 | 4.1 | 59.2 | 0.0 | 3.2 | 19.1 |
| MGP | 90 | E | 10 | 22 | MGP90-E10-22 | 7.9 | 8.2 | 8.3 | 15.1 | 3.6 | 71.9 | 0.0 | 15.9 | 34.9 |
| MGP | 90 | E | 12 | 14 | MGP90-E12-14 | 9.5 | 9.8 | 9.9 | 18.1 | 5.0 | 73.9 | 11.1 | 6.4 | 22.2 |

HUCK® INTERACTIVE CD ROM : DIMENSIONS (CONTINUED)

MAGNA-GRIP

| Family | Headstyle | Material | Diameter | Grip | Part Number | Nom Dia mm | Min Hole Size mm | Max Hole Size mm | Max B mm | Max C mm | Max D mm | Nominal F mm | All Collars Min Grip mm | All Collars Max Grip mm |
|--------|-----------|----------|----------|------|--------------|---------------|------------------------|------------------------|----------------|----------------|----------------|--------------------|-------------------------------|-------------------------------|
| MGP | 90 | E | 12 | 26 | MGP90-E12-26 | 9.5 | 9.8 | 9.9 | 18.1 | 4.3 | 89.8 | 20.6 | 20.6 | 41.3 |
| MGP | 98T | R | 6 | 10 | MGP98T-R6-10 | 4.8 | 5.0 | 5.2 | 12.4 | 2.7 | 46.3 | 2.2 | 1.6 | 15.9 |
| MGP | 98T | R | 6 | 20 | MGP98T-R6-20 | 4.8 | 5.0 | 5.2 | 12.4 | 2.7 | 61.1 | 7.9 | 7.9 | 31.8 |
| MGP | 98T | E | 6 | 10 | MGP98T-E6-10 | 4.8 | 5.0 | 5.2 | 12.4 | 2.7 | 46.3 | 2.2 | 1.6 | 15.9 |
| MGP | 98T | E | 6 | 20 | MGP98T-E6-20 | 4.8 | 5.0 | 5.2 | 12.4 | 2.7 | 61.1 | 7.9 | 7.9 | 31.8 |

HUCK® INTERACTIVE CD ROM : STRENGTHS & INSTALLED DIMENSIONS

MAGNA-GRIP

Unless stated all values are minimum

| Part Number | SHEAR | | TENSILE - Bare | | TENSILE - PLATED | | TENSILE - BRIGHT DIP | | CLAMP | | TYPICAL | TYPICAL | TYPICAL | TYPICAL | | R Max | S Max | T Min | U Max | Collar Type |
|--------------|--------|------|----------------|------|------------------|------|----------------------|------|--------|------|---------|---------|---------|---------|--------|-------|-------|-------|-------|-------------|
| | Newton | kN | Newton | kN | Newton | kN | Newton | kN | Newton | kN | Newton | kN | Newton | kN | Newton | | | | | |
| MGPB-R6-10 | 7673 | | 7340 | | 6228 | | | | 4115 | 0 | | | | | | | 1.6 | 0.8 | | All Types |
| MGPB-R6-20 | 7673 | | 7340 | | 6228 | | | | 4115 | 0 | | | | | | | 1.6 | 0.8 | | All Types |
| MGPB-R8-10 | 9786 | | 13345 | 13.3 | 11343 | 11.3 | | | 5338 | 0 | | | | | | | 3.2 | 2.4 | | All Types |
| MGPB-R8-20 | 9786 | | 13345 | 13.3 | 11343 | 11.3 | | | 5338 | 0 | | | | | | | 3.2 | 2.4 | | All Types |
| MGPB-R10-12 | 13345 | 13.3 | 20462 | 20.5 | 17393 | 17.4 | | | 9564 | 0 | | | | | | | 4.8 | 3.6 | | All Types |
| MGPB-R10-22 | 13345 | 13.3 | 20462 | 20.5 | 17393 | 17.4 | | | 9564 | 0 | | | | | | | 4.8 | 3.6 | | All Types |
| MGPB-R12-14 | 18683 | 18.7 | 28913 | 28.9 | 25021 | 25 | | | 14234 | 14.2 | 0 | | | | | | 6.4 | 4.4 | | All Types |
| MGPB-R12-26 | 18683 | 18.7 | 28913 | 28.9 | 25021 | 25 | | | 14234 | 14.2 | 0 | | | | | | 6.4 | 4.4 | | All Types |
| MGPB-E6-10 | 3336 | | | | | | 4003 | | 2447 | 0 | | | | | | | 1.6 | 0.8 | | All Types |
| MGPB-E6-20 | 3336 | | | | | | 4003 | | 2447 | 0 | | | | | | | 1.6 | 0.8 | | All Types |
| MGPB-E8-10 | 5338 | | | | | | 7206 | | 4226 | 0 | | | | | | | 3.2 | 2.4 | | All Types |
| MGPB-E8-20 | 5338 | | | | | | 7206 | | 4226 | 0 | | | | | | | 3.2 | 2.4 | | All Types |
| MGPB-E10-12 | 9786 | | | | | | 11121 | 11.1 | 7117 | 0 | | | | | | | 4.8 | 3.6 | | All Types |
| MGPB-E10-22 | 9786 | | | | | | 11121 | 11.1 | 7117 | 0 | | | | | | | 4.8 | 3.6 | | All Types |
| MGPB-E12-14 | 13345 | 13.3 | | | | | 17793 | 17.8 | 10676 | 10.7 | 0 | | | | | | 6.4 | 4.4 | | All Types |
| MGPB-E12-26 | 13345 | 13.3 | | | | | 17793 | 17.8 | 10676 | 10.7 | 0 | | | | | | 6.4 | 4.4 | | All Types |
| MGPT-R8-10 | 9786 | | 13345 | 13.3 | 11343 | 11.3 | | | 5338 | 0 | | | | | | | 3.2 | 2.4 | | All Types |
| MGPT-R8-20 | 9786 | | 13345 | 13.3 | 11343 | 11.3 | | | 5338 | 0 | | | | | | | 3.2 | 2.4 | | All Types |
| MGPT-R10-12 | 13345 | 13.3 | 20462 | 20.5 | 17393 | 17.4 | | | 9564 | 0 | | | | | | | 4.8 | 3.6 | | All Types |
| MGPT-R10-22 | 13345 | 13.3 | 20462 | 20.5 | 17393 | 17.4 | | | 9564 | 0 | | | | | | | 4.8 | 3.6 | | All Types |
| MGPT-R12-14 | 18683 | 18.7 | 28913 | 28.9 | 25021 | 25 | | | 14234 | 14.2 | 0 | | | | | | 6.4 | 4.4 | | All Types |
| MGPT-R12-26 | 18683 | 18.7 | 28913 | 28.9 | 25021 | 25 | | | 14234 | 14.2 | 0 | | | | | | 6.4 | 4.4 | | All Types |
| MGPT-E8-10 | 5338 | | | | | | 7206 | | 4226 | 0 | | | | | | | 3.2 | 2.4 | | All Types |
| MGPT-E8-20 | 5338 | | | | | | 7206 | | 4226 | 0 | | | | | | | 3.2 | 2.4 | | All Types |
| MGPT-E10-12 | 9786 | | | | | | 11121 | 11.1 | 7117 | 0 | | | | | | | 4.8 | 3.6 | | All Types |
| MGPT-E10-22 | 9786 | | | | | | 11121 | 11.1 | 7117 | 0 | | | | | | | 4.8 | 3.6 | | All Types |
| MGPT-E12-14 | 13345 | 13.3 | | | | | 17793 | 17.8 | 10676 | 10.7 | 0 | | | | | | 6.4 | 4.4 | | All Types |
| MGPT-E12-26 | 13345 | 13.3 | | | | | 17793 | 17.8 | 10676 | 10.7 | 0 | | | | | | 6.4 | 4.4 | | All Types |
| MGP30-R8-10 | 9786 | | 13345 | 13.3 | 11343 | 11.3 | | | 5338 | 0 | | | | | | | 3.2 | 2.4 | | All Types |
| MGP30-R8-24 | 9786 | | 13345 | 13.3 | 11343 | 11.3 | | | 5338 | 0 | | | | | | | 3.2 | 2.4 | | All Types |
| MGP30-R12-24 | 18683 | 18.7 | 28913 | 28.9 | 25021 | 25 | | | 14234 | 14.2 | 0 | | | | | | 6.4 | 4.4 | | All Types |
| MGP30-R12-32 | 18683 | 18.7 | 28913 | 28.9 | 25021 | 25 | | | 14234 | 14.2 | 0 | | | | | | 6.4 | 4.4 | | All Types |
| MGP30-E8-10 | 5338 | | | | | | 7206 | | 4226 | 0 | | | | | | | 3.2 | 2.4 | | All Types |
| MGP30-E8-24 | 5338 | | | | | | 7206 | | 4226 | 0 | | | | | | | 3.2 | 2.4 | | All Types |
| MGP30-E12-24 | 13345 | 13.3 | | | | | 17793 | 17.8 | 10676 | 10.7 | 0 | | | | | | 6.4 | 4.4 | | All Types |
| MGP30-E12-32 | 13345 | 13.3 | | | | | 17793 | 17.8 | 10676 | 10.7 | 0 | | | | | | 6.4 | 4.4 | | All Types |
| MGP90-R6-10 | 7673 | | 7340 | | 6228 | | | | 4115 | 0 | | | | | | | 1.6 | 0.8 | | All Types |
| MGP90-R6-20 | 7673 | | 7340 | | 6228 | | | | 4115 | 0 | | | | | | | 1.6 | 0.8 | | All Types |
| MGP90-R8-10 | 9786 | | 13345 | 13.3 | 11343 | 11.3 | | | 5338 | 0 | | | | | | | 3.2 | 2.4 | | All Types |
| MGP90-R8-20 | 9786 | | 13345 | 13.3 | 11343 | 11.3 | | | 5338 | 0 | | | | | | | 3.2 | 2.4 | | All Types |
| MGP90-R10-12 | 13345 | 13.3 | 20462 | 20.5 | 17393 | 17.4 | | | 9564 | 0 | | | | | | | 4.8 | 3.6 | | All Types |
| MGP90-R10-22 | 13345 | 13.3 | 20462 | 20.5 | 17393 | 17.4 | | | 9564 | 0 | | | | | | | 4.8 | 3.6 | | All Types |
| MGP90-R12-14 | 18683 | 18.7 | 28913 | 28.9 | 25021 | 25 | | | 14234 | 14.2 | 0 | | | | | | 6.4 | 4.4 | | All Types |
| MGP90-R12-26 | 18683 | 18.7 | 28913 | 28.9 | 25021 | 25 | | | 14234 | 14.2 | 0 | | | | | | 6.4 | 4.4 | | All Types |
| MGP90-E6-10 | 3336 | | | | | | 4003 | | 2447 | 0 | | | | | | | 1.6 | 0.8 | | All Types |
| MGP90-E6-20 | 3336 | | | | | | 4003 | | 2447 | 0 | | | | | | | 1.6 | 0.8 | | All Types |
| MGP90-E8-10 | 5338 | | | | | | 7206 | | 4226 | 0 | | | | | | | 3.2 | 2.4 | | All Types |
| MGP90-E8-20 | 5338 | | | | | | 7206 | | 4226 | 0 | | | | | | | 3.2 | 2.4 | | All Types |
| MGP90-E10-12 | 9786 | | | | | | 11121 | 11.1 | 7117 | 0 | | | | | | | 4.8 | 3.6 | | All Types |
| MGP90-E10-22 | 9786 | | | | | | 11121 | 11.1 | 7117 | 0 | | | | | | | 4.8 | 3.6 | | All Types |
| MGP90-E12-14 | 13345 | 13.3 | | | | | 17793 | 17.8 | 10676 | 10.7 | 0 | | | | | | 6.4 | 4.4 | | All Types |

HUCK® INTERACTIVE CD ROM : STRENGTHS & INSTALLED DIMENSIONS (CONTINUED)

MAGNA-GRIP

Unless stated all values are minimum

| Part Number | SHEAR | | TENSILE - Bare | | TENSILE - PLATED | | TENSILE - BRIGHT DIP | | CLAMP | | TYPICAL SHEAR | | TYPICAL TENSILE - PLATED | | TYPICAL Pin Retention | | TYPICAL CLAMP | | R Max | S Max | T Min | U Max | Collar Type |
|--------------|---------|------|----------------|----|------------------|----|----------------------|------|---------|------|---------------|----|--------------------------|----|-----------------------|----|---------------|----|-------|-------|-------|-------|-------------|
| | Newtons | kN | Newtons | kN | Newtons | kN | Newtons | kN | Newtons | kN | Newtons | kN | Newtons | kN | Newtons | kN | Newtons | kN | mm | mm | mm | mm | |
| MGP90-E12-26 | 13345 | 13.3 | | | | | 17793 | 17.8 | 10676 | 10.7 | 0 | | | | | | | | 6.4 | 4.4 | | | All Types |
| MGP98T-R6-10 | 7673 | | 7340 | | 6228 | | | | 4115 | | 0 | | | | | | | | 1.6 | 0.8 | | | All Types |
| MGP98T-R6-20 | 7673 | | 7340 | | 6228 | | | | 4115 | | 0 | | | | | | | | 1.6 | 0.8 | | | All Types |
| MGP98T-E6-10 | 3336 | | | | | | 4003 | | | | 2447 | 0 | | | | | | | 1.6 | 0.8 | | | All Types |
| MGP98T-E6-20 | 3336 | | | | | | 4003 | | | | 2447 | 0 | | | | | | | 1.6 | 0.8 | | | All Types |

HUCK® INTERACTIVE CD ROM : COLLARS

MAGNA-GRIP

| Family | Headstyle | Material | Diameter | Part Number | L Max mm | K Max mm |
|--------|-----------|----------|----------|-------------|-------------|-------------|
| MG | C | R | 6 | MGC-R6 | 7.4 | 10.0 |
| MG | C | R | 8 | MGC-R8 | 9.9 | 13.2 |
| MG | C | R | 10 | MGC-R10 | 11.5 | 16.4 |
| MG | C | R | 12 | MGC-R12 | 13.2 | 19.6 |
| MG | C | F | 6 | MGC-F6 | 7.2 | 9.8 |
| MG | C | F | 8 | MGC-F8 | 9.9 | 13.2 |
| MG | C | F | 10 | MGC-F10 | 11.3 | 16.4 |
| MG | C | F | 12 | MGC-F12 | 13.2 | 19.6 |
| MG | CS | R | 6 | MGCS-R6 | 8.1 | 13.7 |
| MG | CS | R | 8 | MGCS-R8 | 11.9 | 18.3 |
| MG | CS | F | 6 | MGCS-F6 | 8.1 | 13.7 |
| MG | CS | F | 8 | MGCS-F8 | 11.9 | 18.3 |
| MG | CW | R | 6 | MGCW-R6 | 8.1 | 19.3 |
| MG | CW | R | 8 | MGCW-R8 | 11.9 | 25.7 |
| MG | CW | F | 6 | MGCW-F6 | 8.1 | 19.2 |
| MG | CW | F | 8 | MGCW-F8 | 11.7 | 25.5 |

HUCK® INTERACTIVE CD ROM : HEADSTYLES

ALL PRODUCTS

| Name | Family | Part | Type | Description |
|------------|--------|--------|------|--------------------------------|
| C120L | C120L | Collar | 2 | Standard |
| C120L | C120L | Collar | 3 | Flanged |
| C120L | C120L | Collar | 8 | Low Profile |
| C120L | C120L | Pin | B | Brazier |
| C120L | C120L | Pin | T | Truss |
| C120L | C120L | Pin | 90 | Countersunk |
| C6L | C6L | Collar | 2 | Standard |
| C6L | C6L | Collar | 3 | Flanged |
| C6L | C6L | Collar | 8 | Low Profile |
| C6L | C6L | Pin | B | Brazier |
| C6L | C6L | Pin | T | Truss |
| C6L | C6L | Pin | 90 | Countersunk |
| Magna-Grip | MGP | Pin | B | Button |
| Magna-Grip | MGP | Pin | T | Truss |
| Magna-Grip | MGP | Pin | 30 | Broad Truss |
| Magna-Grip | MGP | Pin | 90 | 90 Degree Countersunk |
| Magna-Grip | MGP | Pin | 98T | Rivet |
| Magna-Grip | MG | Collar | C | Standard Flange |
| Magna-Grip | MG | Collar | CS | Medium Flange |
| Magna-Grip | MG | Collar | CW | Wide Flange |
| Hucktainer | HLP | Pin | P | Standard Low Profile |
| Hucktainer | HLP | Pin | E | Encapsulated |
| Hucktainer | HLP | Pin | M | Medium sized encapsulated |
| Hucktainer | HLP | Collar | S | Wide bearing sleeve |
| Hucktainer | HLP | Collar | SM | Medium bearing sleeve |
| Hucktainer | HLP | Collar | SC | Clearance sleeve |
| Hucktainer | HLP | Collar | SGC | Short grip clearance sleeve |
| Hucktainer | HLP | Collar | SGM | Short grip medium sleeve |
| Hucktainer | HLP | Collar | SG | Short grip wide bearing sleeve |
| C50L | C50L | Pin | R | Round |
| C50L | C50L | Pin | T | Truss |
| C50L | C50L | Pin | 90 | 90 Degree Countersunk |
| C50L | C50L | Collar | LC | Standard |
| C50L | C50L | Collar | 3LC | Flanged |

| Name | Family | Part | Type | Description |
|--------------------------|--------|--------|------|--------------------------|
| C50L | C50L | Collar | 8LC | Low Profile |
| HP8 | HP8 | Pin | F | Flanged |
| HP8 | HP | Collar | BF | Flanged |
| Huck-Fit | MHF | Pin | F | Flanged |
| Huck-Fit | MHF | Pin | P8 | Freightliner |
| Huck-Fit | MH | Collar | CH | Threaded Hex Flange |
| Huck-Spin | MHS | Collar | H | Threaded Hex Flange |
| Huck-Spin | MHS | Collar | CF | Round Flange |
| Huck-Spin | MHS | Pin | F | Hexagonal |
| Huck-Spin | MHS | Pin | PF | Round |
| Small diameter Huck-Spin | HS2 | Pin | B | Brazied |
| Small diameter Huck-Spin | HS5 | Pin | B | Brazied |
| Small diameter Huck-Spin | HS8 | Pin | B | Brazied |
| Small diameter Huck-Spin | HS2 | Pin | 90 | 90 Degree Countersunk |
| Small diameter Huck-Spin | HS5 | Pin | 90 | 90 Degree Countersunk |
| Small diameter Huck-Spin | HS2 | Collar | F | Flanged |
| Small diameter Huck-Spin | HS5 | Collar | F | Flanged |
| Small diameter Huck-Spin | HS8 | Collar | F | Flanged |
| Magna-Lok | MGL | Blind | P | Protunding |
| Magna-Lok | MGL | Blind | T | Truss |
| Magna-Lok | MGL | Blind | 100 | 100 Degree Countersunk |
| Magna-Bulb | MB | Blind | P | Protunding |
| Auto-Bulb | AB | Blind | P | Protunding |
| Magna-Tite | MT | Blind | P | Protunding |
| Magna-Tite | MT | Blind | V | 100 Degree Oval |
| Magna-Tite | MT | Blind | S | Shavable |
| Magna-Tite | MT | Blind | LP | Low Profile |
| Huck-Lok | HKL | Blind | P | Protunding |
| FloorTight | PWF | Blind | | Installation in Plywood |
| FloorTight | PMF | Blind | | Installation in Plymetal |

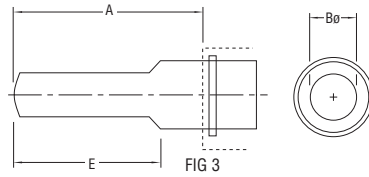
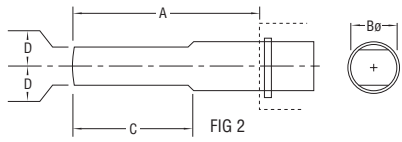
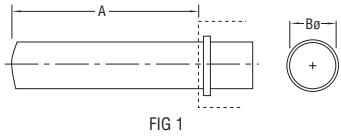
*BOM does not have a headstyle

HUCK® INTERACTIVE CD ROM : MATERIALS & COATINGS

ALL PRODUCTS

| Family | Part | Material Code | Material | Standard Coating | Standard Coating Code | Tab-Lok Available |
|--------------------------|--------------------------------|---------------|---------------------------------|---|-----------------------|-------------------|
| Auto-Bulb | Pin | R | Medium Carbon Steel | "Zinc plate, gold chromate" | | |
| Auto-Bulb | Sleeve | R | Low Carbon Steel | "Zinc plate, gold chromate" | | |
| BOM | Pin - 4.8mm to 7.9mm diameter | R | Carbon Steel | Bare | | |
| BOM | Pin - 9.5mm to 19.1mm diameter | R | Alloy Steel | Bare | | |
| BOM | Sleeve | R | Carbon Steel | Zinc plating per spec ASTM B633 or ASTM B695. Meets specification of QQ-Z-235 and MIL-C-81562 | | |
| C120L | Collar | R/2R | Low Carbon Steel | "Zinc plate, clear chromate" | G | |
| C120L | Pin | R | Carbon Steel/Carbon Boron Steel | "Zinc plate, clear chromate" | G | |
| C50L | Collar | 2CU | Stainless Steel | Pasivated | - | Yes |
| C50L | Collar | 2R | Low Carbon Steel | "Zinc plate, clear chromate" | G | Yes |
| C50L | Collar | F | 6061 Aged Aluminium Alloy | Pasivated | - | Yes |
| C50L | Collar | I | 6061 Aluminium Alloy | Pasivated | - | Yes |
| C50L | Pin | BR | Carbon Steel/Carbon Boron Steel | Bare | - | |
| C50L | Pin | C | 2024 Aluminium Alloy | Pasivated | - | |
| C50L | Pin | F | 6061 Aluminium Alloy | Pasivated | - | |
| C50L | Pin | U | Stainless Steel | Pasivated | - | |
| C6L | Collar | 2CU | Stainless Steel | "Zinc plate, clear chromate" | G | |
| C6L | Collar | F | 5062 Aluminium Alloy | "Zinc plate, clear chromate" | G | |
| C6L | Collar | I | 6061 Aluminium Alloy | "Zinc plate, clear chromate" | G | |
| C6L | Collar | R/2R | Low Carbon Steel | "Zinc plate, clear chromate" | G | |
| C6L | Pin | C | Aluminium Alloy | "Zinc plate, clear chromate" | G | |
| C6L | Pin | F | Aluminium Alloy | "Zinc plate, clear chromate" | G | |
| C6L | Pin | R | Carbon Steel/Carbon Boron Steel | "Zinc plate, clear chromate" | G | |
| C6L | Pin | U | Stainless Steel | "Zinc plate, clear chromate" | G | |
| FloorTight | Pin | R | Steel | Black | | |
| FloorTight | Sleeve | R | Steel | Zinc electroplate eith gold chromate | | |
| HP8 | Collar | R | Low Carbon Steel | "Zinc plate, clear chromate" | G | Yes |
| HP8 | Pin | DT | Medium Carbon Steel | Bare | - | |
| Huck-Fit | Collar | | Low Carbon Steel | "Zinc plate, gold chromate" | U | Yes |
| Huck-Fit | Pin | DT | Carbon Steel/Carbon Boron Steel | Bare | - | |
| HuckLok | Pin | R | Medium Carbon Steel | "Zinc plate, clear chromate" | | |
| HuckLok | Sleeve | R | Low Carbon Steel | "Zinc plate, clear chromate" | | |
| Huck-Spin | Collar | R | Low Carbon Steel | "Zinc plate, gold chromate" | U | |
| Huck-Spin | Pin | DT | Carbon Steel/Carbon Boron Steel | Consult Huck | - | |
| Small Diameter Huck-Spin | Collar | R | Low Carbon Steel | Consult Huck | | |
| Small Diameter Huck-Spin | Pin | R | Low Carbon Steel | Consult Huck | | |
| Small Diameter Huck-Spin | Pin | DT | Carbon Steel/Carbon Boron Steel | Consult Huck | | |
| Hucktainer Plus | Collar | R | Low Carbon Steel | "Zinc plate, gold chromate" | U | |
| Hucktainer Plus | Pin | R | Low Carbon Steel | "Zinc plate, clear chromate" | G | |
| Magna-Bulb | Pin | R | Medium Carbon Steel | "Zinc plate, gold chromate" | | |
| Magna-Bulb | Sleeve | R | Low Carbon Steel | "Zinc plate, gold chromate" | | |
| Magna-Grip | Collar | F | 7075-T6 Aluminium Alloy | | - | Yes |
| Magna-Grip | Collar | R | Low Carbon Steel | "Zinc plate, clear chromate" | G | Yes |
| Magna-Grip | Pin | E | 6061 Aluminium Alloy | | - | |
| Magna-Grip | Pin | R | Carbon Steel | "Zinc plate, clear chromate" | G | |
| Magna-Lok | Pin | B | 7075 Aluminium Alloy | Gold chromate | | |
| Magna-Lok | Pin | R | Medium Carbon Steel | "Zinc plate, gold chromate" | | |
| Magna-Lok | Pin | U | Stainless Steel | Pasivated | | |
| Magna-Lok | Sleeve | B | 5056 Aluminium Alloy | Clear chromate | | |
| Magna-Lok | Sleeve | R | Low Carbon Steel | "Zinc plate, clear chromate" | | |
| Magna-Lok | Sleeve | U | Stainless Steel | Pasivated | | |
| Magna-Tite | Pin | B | Aluminum Alloy | Consult Huck | | |
| Magna-Tite | Sleeve | B | Aluminum Alloy | Consult Huck | | |

HUCK® INTERACTIVE CD ROM : NOSE ASSEMBLIES
MAGNA-GRIP



HUCK® INTERACTIVE CD ROM : TOOLING MATRIX

MAGNA-GRIP

| Dia. | Nose Assembly Options | | Nose Assembly Dimensions | | | | | | Pneumatic Tool Options | | | | |
|------|-----------------------|-----------|--------------------------|-------|------|------|------|------|------------------------|-----|-----------|--------|-------|
| | FOCUS | Non-FOCUS | Fig. | A mm | B mm | C mm | D mm | E mm | FOCUS | | Non-FOCUS | | |
| | 1 | 2 | | | ø | | | | 1 | 2 | 3 | 4 | 5 |
| 6 | 99-1456 | | 2 | 49.5 | 18.8 | 40.0 | 8.9 | - | LH-224 | | 2025 | 2025B | 2025V |
| | 99-1456L | | 2 | 49.5 | 18.8 | 40.0 | 8.9 | - | 2025LB | | 2025L | 2025LV | |
| | | 99-3200 | 1 | 21.5 | 19.1 | - | - | - | LH-224 | | 2025 | 2025B | |
| | | 99-3202 | 1 | 150.5 | 19.1 | - | - | - | LH-224 | | 2025 | 2025B | 2025V |
| | | 99-3206 | 3 | 91.0 | 19.1 | - | - | 74.0 | 255 | 256 | 245 | 246 | |
| 8 | 99-1477UK | | 2 | 54.0 | 19.7 | 40.0 | 9.1 | - | LH-224 | | 2025 | 2025B | 2025V |
| | 99-1477UKL | | 2 | 54.0 | 19.7 | 40.0 | 9.1 | - | 2025LB | | 2025L | 2025LV | |
| | | 99-3203 | 1 | 27.0 | 19.1 | - | - | - | LH-224 | | 2025 | 2025B | 2025V |
| | | 99-3205 | 1 | 155.0 | 19.1 | - | - | - | LH-224 | | 2025 | 2025B | 2025V |
| | | 99-3207 | 3 | 94.0 | 18.8 | - | - | 78.0 | 255 | 256 | 245 | 246 | |
| 10 | 99-1439 | | 2 | 71.5 | 27.8 | 53.5 | 12.7 | - | 255 | 256 | 245 | 246 | |
| 12 | 99-1440 | | 2 | 74.0 | 27.8 | 53.5 | 12.7 | - | 256 | | 246 | | |

| Dia. | Nose Assembly Options | | Nose Assembly Dimensions | | | | | | Hydraulic Tool Options | | | | Powerig Options | | | | | Hose Set Options | |
|------|-----------------------|-----------|--------------------------|-------|------|------|------|------|------------------------|------|-----------|---|-----------------|---------------|-------------|--------------|---------------|----------------------------------|-----------|
| | FOCUS | Non-FOCUS | Fig. | A mm | B mm | C mm | D mm | E mm | FOCUS | | Non-FOCUS | | FOCUS | | | Non-FOCUS | | FOCUS | Non-FOCUS |
| | 1 | 2 | | | ø | | | | 1 | 2 | 3 | 4 | 1 | 2 | 3 | 4 | 5 | 1 | 2 |
| 6 | 99-1456 | | 2 | 49.5 | 18.8 | 40.0 | 8.9 | - | | | 2480 | | HK432-2 Series | HK3413 Series | HP74 Series | HP116 Series | HK4245 Series | HS - 10 - MCE (Length 10 Metres) | * |
| | 99-1456L | | 2 | 49.5 | 18.8 | 40.0 | 8.9 | - | 2480L | | | | HK432-2 Series | HK3413 Series | HP74 Series | HP116 Series | HK4245 Series | HS - 10 - MCE (Length 10 Metres) | * |
| | | 99-3200 | 1 | 21.5 | 19.1 | - | - | - | | | 2480 | | HK432-2 Series | HK3413 Series | HP74 Series | HP116 Series | HK4245 Series | HS - 10 - MCE (Length 10 Metres) | * |
| | | 99-3202 | 1 | 150.5 | 19.1 | - | - | - | | | 2480 | | HK432-2 Series | HK3413 Series | HP74 Series | HP116 Series | HK4245 Series | HS - 10 - MCE (Length 10 Metres) | * |
| | | 99-3206 | 3 | 91.0 | 19.1 | - | - | 74.0 | 2580 | 2503 | | | HK432-2 Series | HK3413 Series | HP74 Series | HP116 Series | HK4245 Series | HS - 10 - MCE (Length 10 Metres) | * |
| 8 | 99-1477UK | | 2 | 54.0 | 19.7 | 40 | 9.3 | - | | | 2480 | | HK432-2 Series | HK3413 Series | HP74 Series | | HK4245 Series | HS - 10 - MCE (Length 10 Metres) | * |
| | 99-1477UKL | | 2 | 54.0 | 19.7 | 40 | 9.3 | - | 2480L | | | | HK432-2 Series | HK3413 Series | HP74 Series | | HK4245 Series | HS - 10 - MCE (Length 10 Metres) | * |
| | | 99-3203 | 1 | 27.0 | 19.1 | - | - | - | | | 2480 | | HK432-2 Series | HK3413 Series | HP74 Series | | HK4245 Series | HS - 10 - MCE (Length 10 Metres) | * |
| | | 99-3205 | 1 | 155.0 | 19.1 | - | - | - | | | 2480 | | HK432-2 Series | HK3413 Series | HP74 Series | | HK4245 Series | HS - 10 - MCE (Length 10 Metres) | * |
| | | 99-3207 | 3 | 94.0 | 18.8 | - | - | 78.0 | 2580 | 2503 | | | HK432-2 Series | HK3413 Series | HP74 Series | HP116 Series | HK4245 Series | HS - 10 - MCE (Length 10 Metres) | * |
| 10 | 99-1439 | | 2 | 71.5 | 27.8 | 53.5 | 12.7 | - | 2580 | 2503 | | | HK432-2 Series | HK3413 Series | HP74 Series | HP116 Series | HK4245 Series | HS - 10 - MCE (Length 10 Metres) | * |
| | | 99-3217 | 3 | 79.0 | 27.7 | 59.0 | 12.7 | 65.0 | | | 2600 | | HK432-2 Series | HK3413 Series | HP74 Series | HP116 Series | HK4245 Series | HS - 10 - MCE (Length 10 Metres) | * |
| 12 | 99-1440 | | 2 | 74.0 | 27.8 | 53.5 | 12.7 | - | 2580 | 2503 | | | HK432-2 Series | HK3413 Series | HP74 Series | | HK4245 Series | HS - 10 - MCE (Length 10 Metres) | * |
| | | 99-3220 | 2 | 82.0 | 33.3 | 71.5 | 15.5 | - | | | 2600 | | HK432-2 Series | HK3413 Series | HP74 Series | | HK4245 Series | HS - 10 - MCE (Length 10 Metres) | * |

*Contact Huck for availability of other Hose Set lengths.