

HUCK® INTERACTIVE CD ROM : SPECIFICATIONS

507

507 Hydraulic Installation Tool

Specifications

Weight:

19.5 kg (43 lbs.)

Stroke:

63.5mm (2.5")

Max Operating Hydraulic Pressures:

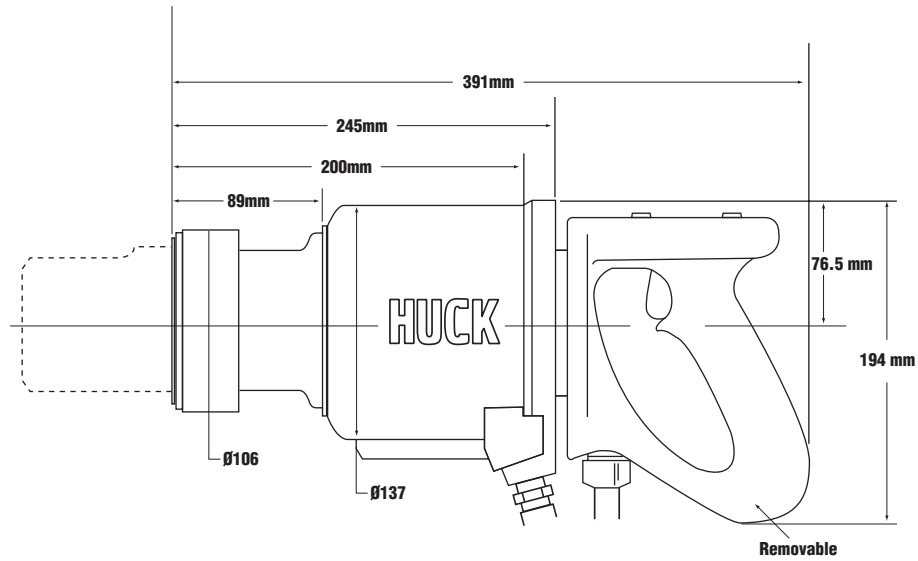
Pull-393 bar (5,400 psi)

Return-165 bar (2,460 psi)

Capacity:

336.73 kN @ 393 bar

(75700 lbs @ 5,400 psi)



HUCK® INTERACTIVE CD ROM : NOSE ASSEMBLY TABLE

507

Some Nose Assemblies & Fasteners for use with the 507 tool

Type	Diameter	Nose Assembly
C50L	25.4mm (1")	99-5016, 99-5016FP, 99-5017
C50L	28.6mm (1 ¹ / ₈ ")	99-5019, 99-5019FP, 99-5020