

2620

2620 Hydraulic Installation Tool

Specifications

Weight:

4.48 kg (9.88 lbs.)

Stroke:

36.50 mm (1.437")

Max Operating Hydraulic Pressures:

Pull-510 bar (7,400 psi)

Return-221 bar (3,200 psi)

Capacity:

78.93 kN @ 448 bar

(17745 lbs @ 6500 psi)

2620-PT Hydraulic Installation Tool

Specifications

Weight:

4.48 kg (9.88 lbs.)

Stroke:

36.50 mm (1.437")

Max Operating Hydraulic Pressures:

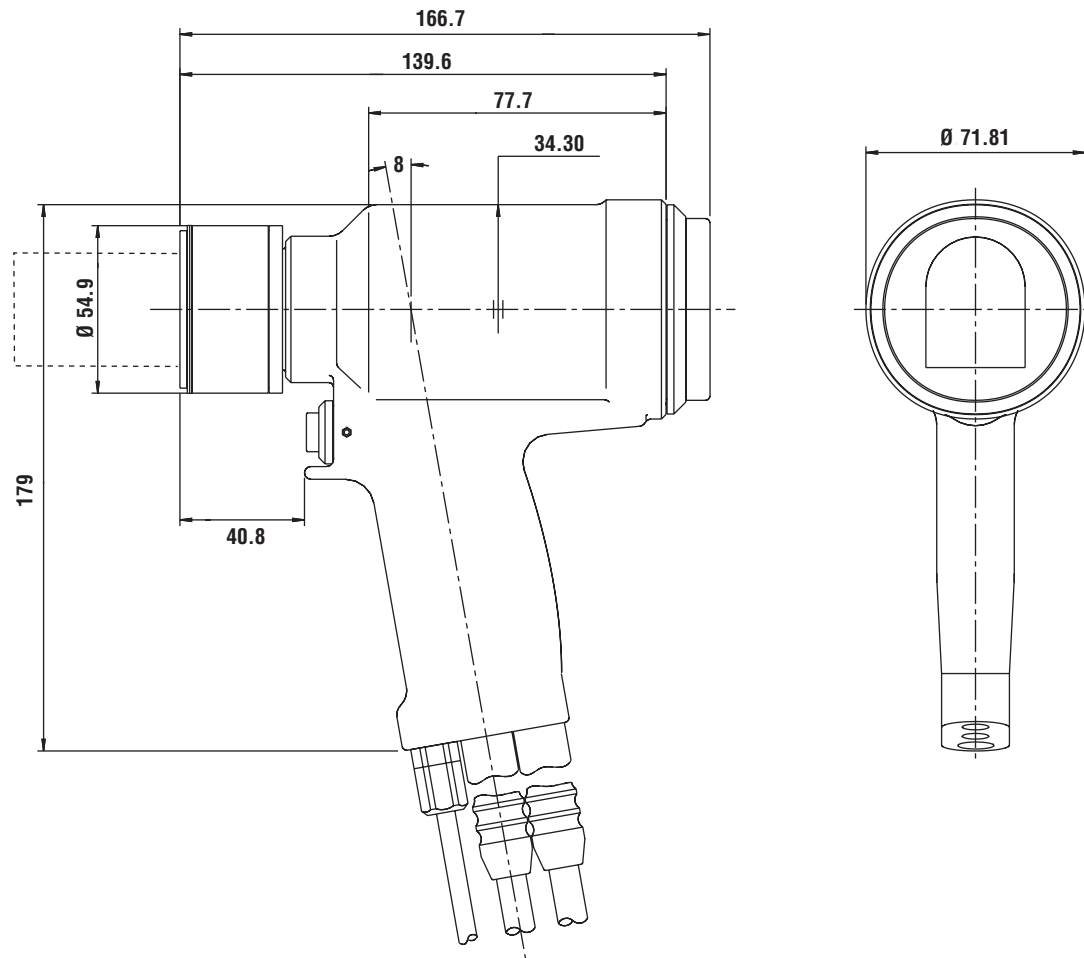
Pull-510 bar (7,400 psi)

Return-221 bar (3,200 psi)

Capacity:

78.93 kN @ 448 bar

(17745 lbs @ 6500 psi)



2620PT

2620-PT Hydraulic Installation Tool

Specifications

Weight:

4.48 kg (9.88 lbs.)

Stroke:

36.50 mm (1.437")

Max Operating Hydraulic Pressures:

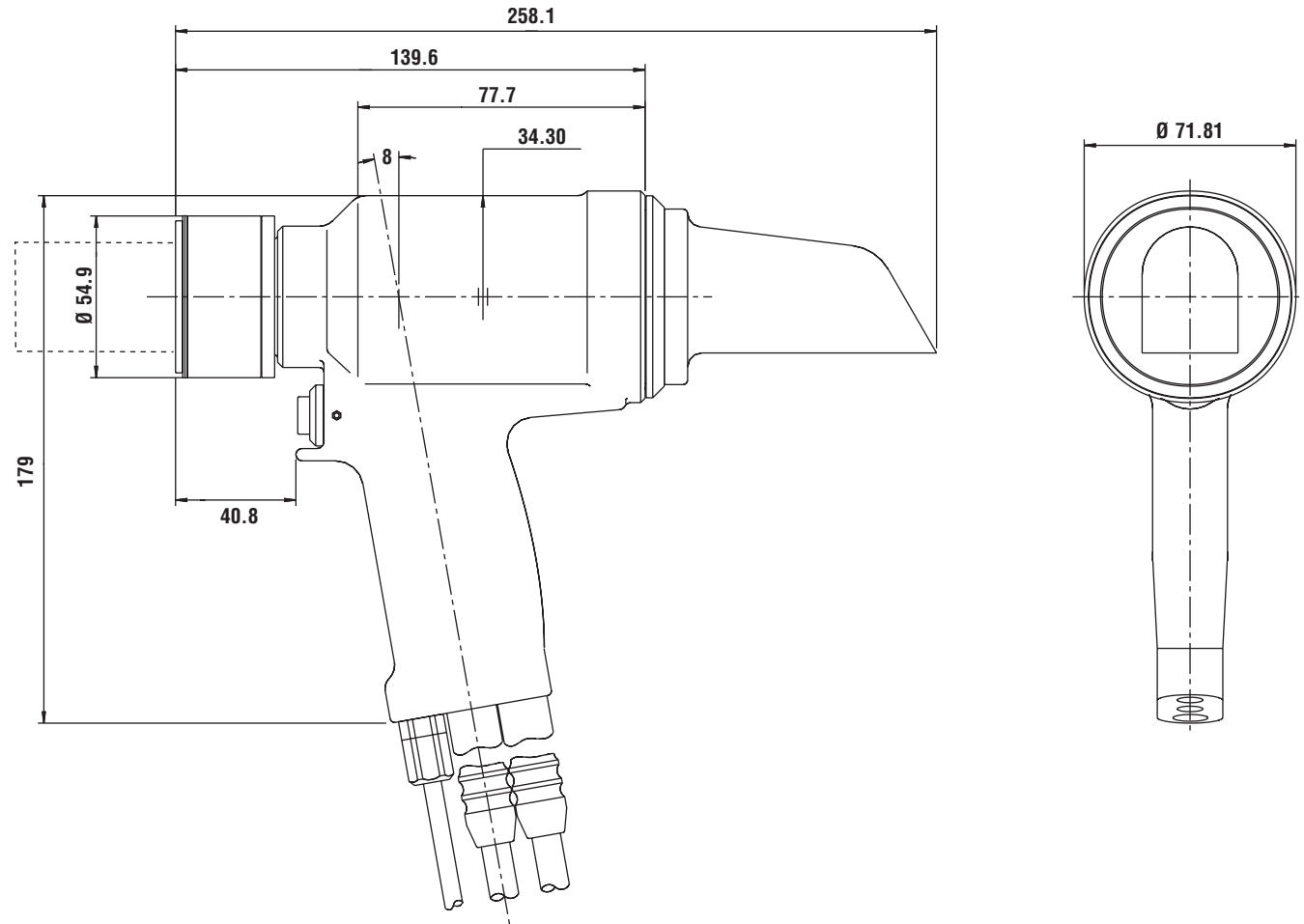
Pull-510 bar (7,400 psi)

Return-221 bar (3,200 psi)

Capacity:

78.93 kN @ 448 bar

(17745 lbs @ 6500 psi)



HUCK® INTERACTIVE CD ROM : NOSE ASSEMBLY TABLE

2620/2620PT

Some Fasteners & Nose Assemblies for use with the 2620 Tool

Type	Diameter	Nose Assembly
BOM	12.7 mm (1/2")	99-5101
C50L	12.7 mm (1/2")	99-5002 , 99-5005
HUCKFIT	12 mm	99-5406
HP8	12.7 mm (1/2")	99-5300

Items in **bold** are part of our FOCUS Tooling Range

Some Fasteners & Nose Assemblies for use with the 2620-PT Tool

Type	Diameter	Nose Assembly
BOM	12.7 mm (1/2")	99-5101
C50L	12.7 mm (1/2")	99-5002 , 99-5005
HUCKFIT	12 mm	99-5406
HP8	12.7 mm (1/2")	99-5300

Items in **bold** are part of our FOCUS Tooling Range