

# HUCK® INTERACTIVE CD ROM : SPECIFICATIONS

## LH224

### LH-224

#### Pneudraulic Installation Tool

---

#### Specifications

---

*Weight:*

2.8 kg (6.17 lbs.)

*Required Air Pressure:*

6.21-6.9 bar (90-100 psi)

*Stroke:*

21 mm (0.828")

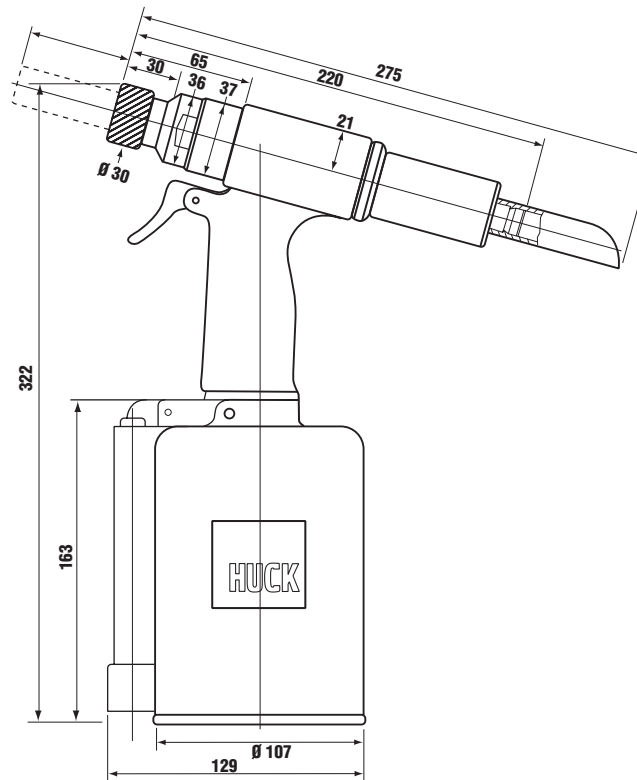
*Hydraulic Fluid:*

Automatic Transmission Fluid  
DEXTRON II® or equivalent

*Capacity:*

19 kN @ 6.21 bar  
(4271 lbs @ 90 psi)

---



# HUCK® INTERACTIVE CD ROM : NOSE ASSEMBLY TABLE

## LH224

### Some Nose Assemblies & Fasteners for use with the LH-224 & LH224B tools

Type	Diameter	Nose Assembly
MAGNA-LOK	4.8 mm (3/16")	99-3300, <b>99-3303</b> , 99-3304
	6.4 mm (1/4")	99-3301, <b>99-3305</b> , 99-3306
MAGNA-BULB	4.8 mm (3/16")	99-3300, <b>99-3303</b> , 99-3304
	6.4 mm (1/4")	99-3301, <b>99-3305</b> , 99-3306
AUTO-BULB	4.8 mm (3/16")	99-3300, <b>99-3303</b> , 99-3304
	6.4 mm (1/4")	99-3301, <b>99-3305</b> , 99-3306
HUCKLOK	6.4 mm (1/4")	99-3301, <b>99-3305</b> , 99-3306
MAGNA-TITE	4.8 mm (3/16")	99-3487-6MT
	6.4 mm (1/4")*	99-3487-8MT
C6L NOT WITH 8LC COLLAR	4.8 mm (3/16")	<b>99-3003</b> , 99-3004
	6.4 mm (1/4")	<b>99-3006</b> , 99-3007
MAGNA-GRIP	4.8 mm (3/16")	99-3200, <b>99-1456</b> , 99-3202
	6.4 mm (1/4")	99-3203, <b>99-1458</b> , 99-3205, <b>99-1477UK</b>

Items in **bold** are part of our FOCUS Tooling Range